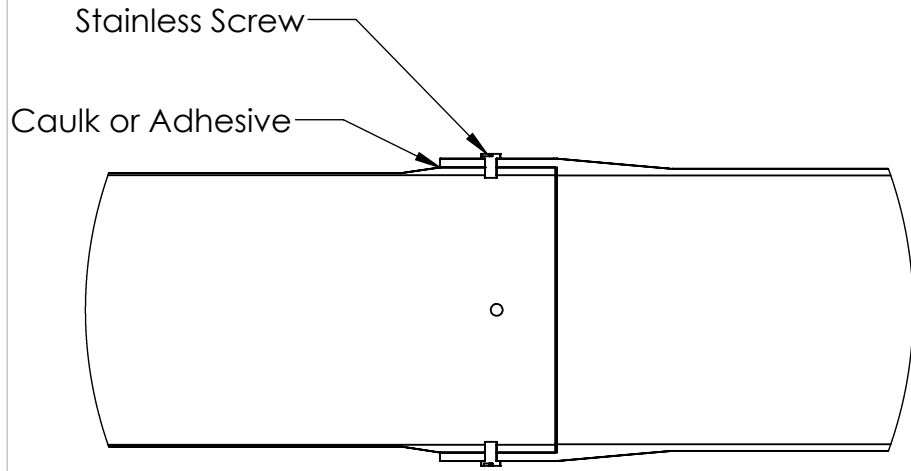


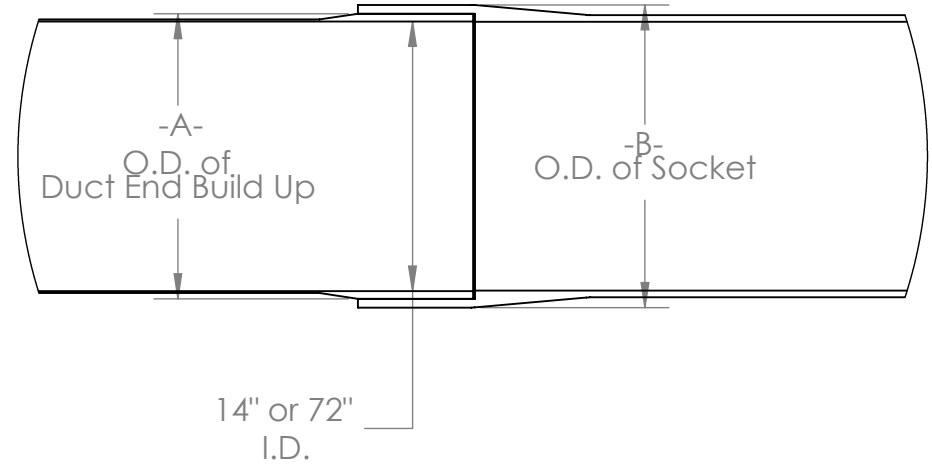
Actual O.D.'s At Joints

For:	-A-	-B-
72" Diameter	73.75"	75.5"
14" Diameter	14.88"	15.76"

14" Diameter Socket Joint



Typical Joint



Page: FI-8  
 UnderDuct/Corrosion Composites  
 Catalog by Monoxivent  
 PH 309-794-1000  
 info@monoxivent.com

PROPRIETARY AND CONFIDENTIAL  
 THE INFORMATION CONTAINED IN THIS  
 DRAWING IS THE SOLE PROPERTY OF  
 CRAWFORD COMPANY. ANY  
 REPRODUCTION IN PART OR AS A WHOLE  
 WITHOUT THE WRITTEN PERMISSION OF  
 CRAWFORD COMPANY IS  
 PROHIBITED.

		UNLESS OTHERWISE SPECIFIED:		NAME	DATE
		DIMENSIONS ARE IN INCHES	DRAWN	SS	5/13/09
		TOLERANCES:	CHECKED		
		FRACTIONAL ±	ENG APPR.		
		ANGULAR: MACH ± BEND ±	MFG APPR.		
		TWO PLACE DECIMAL ±	Q.A.		
		THREE PLACE DECIMAL ±	COMMENTS:		
		INTERPRET GEOMETRIC TOLERANCING PER:			
		MATERIAL			
		FINISH			
NEXT ASSY	USED ON				
APPLICATION		DO NOT SCALE DRAWING			

**Crawford/Monoxivent**

TITLE:  
 UnderDuct Socket Joints

SIZE **A** DWG. NO. Socket Joint REV

SCALE: 1:48 WEIGHT: SHEET 3 OF 3